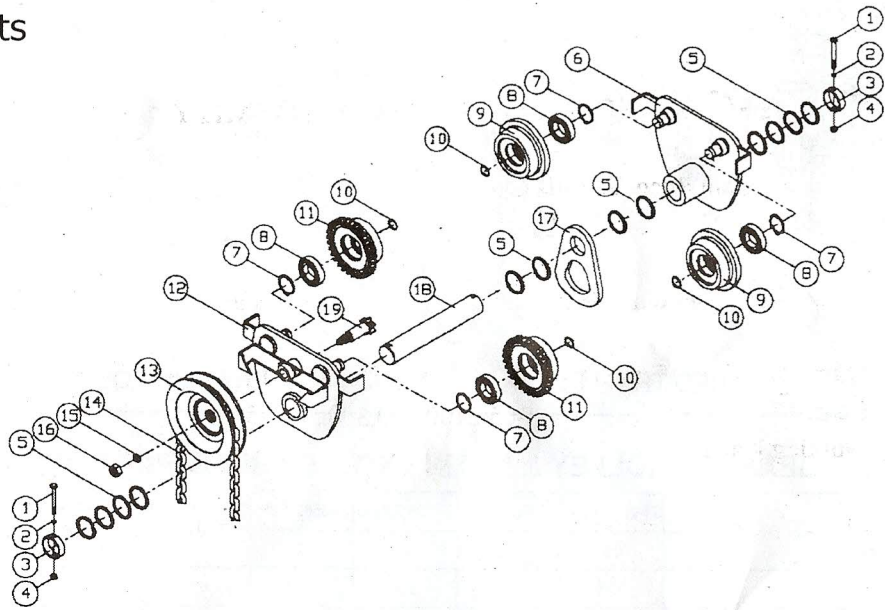
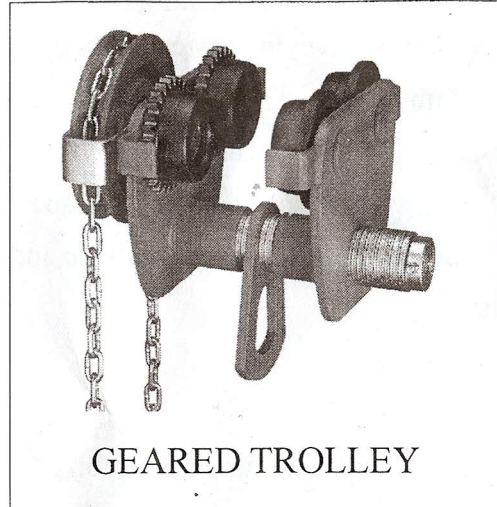


Parts

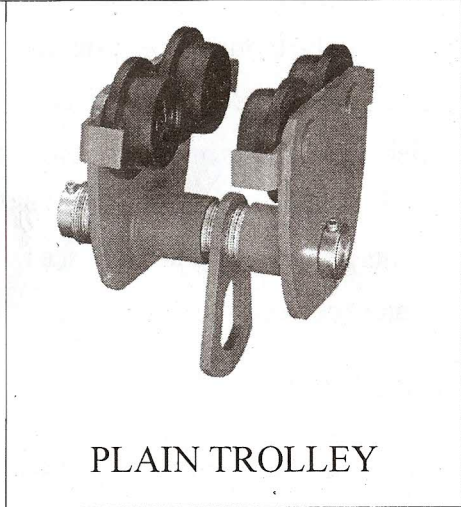


GEARED TROLLEYS & PLAIN TROLLEYS

CAPACITIES: 0.5 TO 10 TONS



GEARED TROLLEY



PLAIN TROLLEY

No.	Description	Quantity													
		GT-450	PT-950	GT-100	PT-100	GT-200	PT-200	GT-300	PT-300	GT-500	PT-500	GT-750	PT-750	GT-1000	PT-1000
1	BOLT	2	2	2	2	2	2	2	2	2	2	2	2	2	2
2	WASHER	2	2	2	2	2	2	2	2	2	2	2	2	2	2
3	THIMBLE	2	2	2	2	2	2	2	2	2	2	2	2	2	2
4	NUT	2	2	2	2	2	2	2	2	2	2	2	2	2	2
5	SPACER WASHER	40	40	30	30	30	30	40	40	30	30	20	20	20	20
6	RIGHT PLATE ASSEMBLY	1	1	1	1	1	1	1	1	1	1	1	1	1	1
7	CIRCLIPS FOR HOLES	4	4	4	4	4	4	4	4	4	4	4	4	4	4
8	RADIAL BALL BEARINGS	4	4	4	4	4	4	4	4	4	4	4	4	4	4
9	AUXILIARY WHEELS	2	4	2	4	2	4	2	4	2	4	2	4	2	4
10	CIRCLIPS FOR SHAFT	4	4	4	4	4	4	4	4	4	4	4	4	4	4
11	MAIN WHEELS	2	0	2	0	2	0	2	0	2	0	2	0	2	0
12	LEFT PLATE ASSEMBLY	1	1	1	1	1	1	1	1	1	1	1	1	1	1
13	HAND WHEEL	1	0	1	0	1	0	1	0	1	0	1	0	1	0
14	HAND CHAIN	1	0	1	0	1	0	1	0	1	0	1	0	1	0
15	WASHER	1	0	1	0	1	0	1	0	1	0	1	0	1	0
16	NUT	1	0	1	0	1	0	1	0	1	0	1	0	1	0
17	LADING HANGER PLATE	1	1	1	1	1	1	1	1	1	1	1	1	1	1
18	LOADING AXLE	1	1	1	1	1	1	1	1	1	1	1	1	1	1
19	ACTUATE SHAFT	1	0	1	0	1	0	1	0	1	0	1	0	1	0

Serial No. BPT803621

Inspection Certificate

It is hereby certified that this product was manufactured under our single-unit control of quality and was passed in strict inspection in accordance with the inspection standard.

C.W.Hwang
Chief inspector

WARNING

1. Please read user's manual carefully before start using the product.
2. Overloading is absolute prohibited.
3. Do Not cross or working under the lifting area.
4. You should stop operating immediately when the chain stuck or abnormal and effort of lifting a full load during the operation, Do Not keep on pulling the unit, check the loaded materiel to see if anything entangled with or any problem with the unit itself.
5. Do Not pull the different levels of hand-pulled chain with hand wheel to avoid chain sticking or vibrating.
6. Bearing, gears and rails should be lubricated periodically; check every single fixed parts thoroughly to make sure it's under working order.

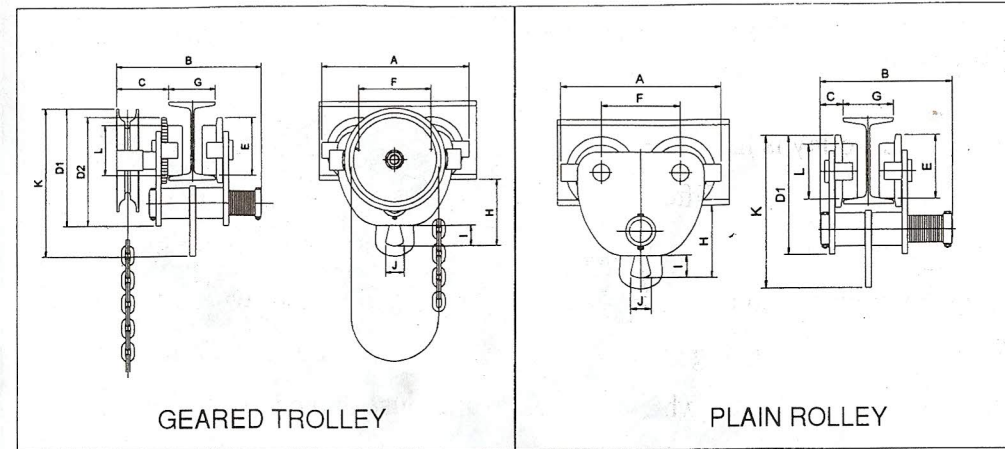
Application

The geared trolley is hand operated by pulling the hand-chain and the plain Trolley by pushing the load lifted, running on the bottom flange of monorail.

Attach the chain block under the trolley to form a trolley type chain block, They may be mounted on monorail overhead conveying system with straight Line or curve, hand travelling crum and jib crane. They are suitable for use widely in factories, mines, wharves, dock, warehouse and engine room for installation of equipment as well as for conveyance of goods. It is especially advantageous for use at the places where no power supply is available and for maintenance and repair of equipment.

Installation

1. To install the lifting, erect the both side wheel's of lifting on the top of H-rails.
2. Make sure the quantities of bushes on both side's loading plates are equal.
3. Insert loading axle from the key way end into the hole of standard side plate.
4. Starting from thimble, loading board, thimble, and penetrate out trough from the other side of side plate.
5. Insert the stopper plate into loading axle, pivot the loading axle to correspond the flat washer in then tight the screw up.
6. Use the above method put the stopper plate into the other side nearest side plate's unit of loading axle.
7. Loading material with 20 Kg and move forward for 1 meter until the wheel contact with rail then tighten both side's screws, put the extra bushes as spare on the exposed loading axle.
8. When finished installation, start testing the light-load test and 125% overload test twice ($2L \leq 6m$), make sure it is working correctly.



GEARED TROLLEY & PLAIN TROLLEY SPECIFICATIONS

Model	GT-050	PT-050	GT-100	PT-100	GT-200	PT-200	GT-300	PT-300	GT-500	PT-500	GT-750	PT-750	GT-1000	PT-1000		
Rated capacity	t		0.5		1		2		3		5		10			
Test load	t		0.63		1.25		2.5		3.75		6.3		12.5			
Operating length of hand chain	m		2.5		3		3		3		3		3			
Chain pull to lift full load	N		40		40		70		100		180		286			
Min. radius of curve	m		1		1		1.3		1.5		1.6		2.2			
H-beam recommended(G)	mm		50~150		75~150		100~175		100~200		125~200		150~200			
Dimensions mm	A	194		217		247		270		310		368		398		
	B	266	220	273	227	309	260	346	300	350	304	386	343	389	350	
	C	81	35	84	39	91	43	96	50	98	52	110	72	114	75	
	D1	150	151	169	167	224	204	241	239	235	251	280	292	301	322	
	D2	151	/	167	/	207	/	239	/	251	/	292	/	322	/	
	E	69		78		91		103		117		135		152		
	F	89		100		116		130		140		184		197		
	H	115		124		171		215		218		260		275		
	I	33		35		55		79		84		103		105		
	J	28		31		56		60		60		76		76		
	K	198	198	221	218	301	284	355	353	370	370	435	435	467	467	
L	φ 60		φ 70		φ 80		φ 90		φ 100		φ 120		φ 140			
Net weight	Kg		8.8	6.4	13.5	10.6	19.8	16.8	30.3	25.8	37	32.6	64	59.5	86	81.4
Extra weight per meter of extra lift	Kg		≈1	/	≈1	/	≈1	/	≈1	/	≈1	/	≈1	/	≈1	/

Remarks:

1. In addition to the standard lift, we accept orders of geared trolley within 12m lift.
2. As our product is incessantly being improved and developed its construction may be slightly different from this instructions.