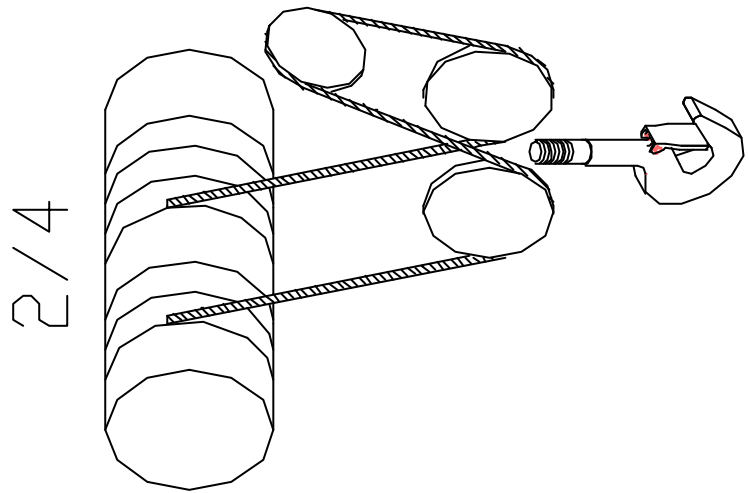
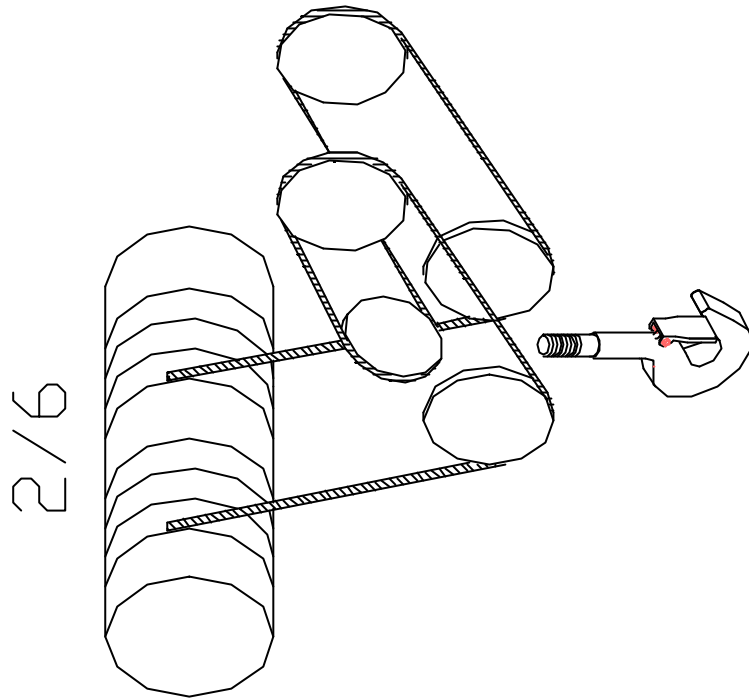
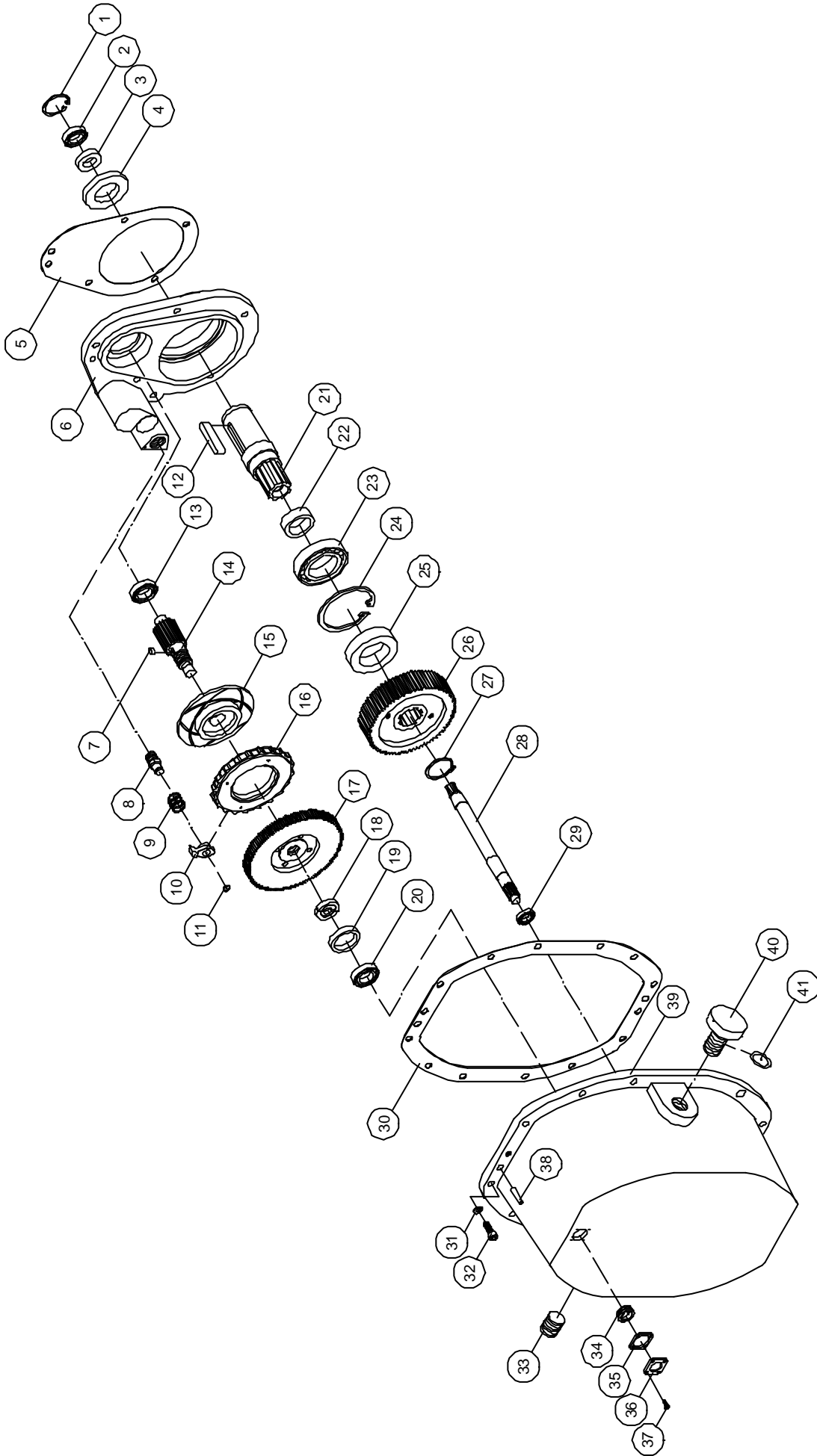


8. Wire rope reeving



9. DRAWINGS AND PARTS LIST

(1) “UA” ”UB” TYPE GEAR BOX EXPLOSION DRAWING	25
(2) “UA” ”UB” TYPE GEAR BOX BILL OF MATERIAL	26
(3) “UC” ”UD” TYPE GEAR BOX EXPLOSION DRAWING	28
(4) “UC” “UD” TYPE GEAR BOX BILL OF MATERIAL	29
(5) “UE” “UF” TYPE GEAR BOX EXPLOSION DRAWING	33
(6) “UE” “UF” BILL OF MATERIAL	34
(7) 1-15T MOTOR EXPLOSION DRAWING	37
(8) 1-15T MOTOR BILL OF MATERIAL	38
(9) 7-15T MOTOR EXPLOSION DRAWING(DUAL SPSSD).....	41
(10) 7-15T MOTOR BILL OF MATERIAL(DUAL SPEED).....	42
(11) 1-2T BOTTOM BLOCK EXPLOSION DRAWING	44
(12) 1-2T BOTTOM BLOCK BILL OF MATERIAL	45
(13) 3-10T BOTTOM BLOCK EXPLOSION DRAWING	46
(14) 3-10T BOTTOM BLOCK BILL OF MATERIAL	47
(15) 15T BOTTOM BLOCK EXPLOSION DRAWING	49
(16) 15T BOTTOM BLOCK BILL OF MATERIAL	50
(17) 1-15T MOTORIZED TROLLEY EXPLOSION DRAWING	51
(18) 1-15T MOTORIZED TROLLEY BILL OF MATERIAL	52
(19) 1-15T TROLLEY FRAME EXPLOSION DRAWING	56
(20) 1-15T TROLLEY FRAME BILL OF MATERIAL	57
(21) 2-15T SADDLE FRAME EXPLOSION DRAWING	64
(22) 2-15T SADDLE FRAME BILL OF MATERIAL	65
(23) 1-10T LIMIT SWITCH EXPLOSION DRAWING	71
(24) 1-10T LIMIT SWITCH BILL OF MATERIAL	72
(25) 15T LIMIT SWITCH EXPLOSION DRAWING	73
(26) 15T LIMIT SWITCH BILL OF MATERIAL	74
(27) 1-15T ELECTRIC EXPLOSION DRAWING	75
(28) 1-15T ELECTRIC BILL OF MATERIAL	77



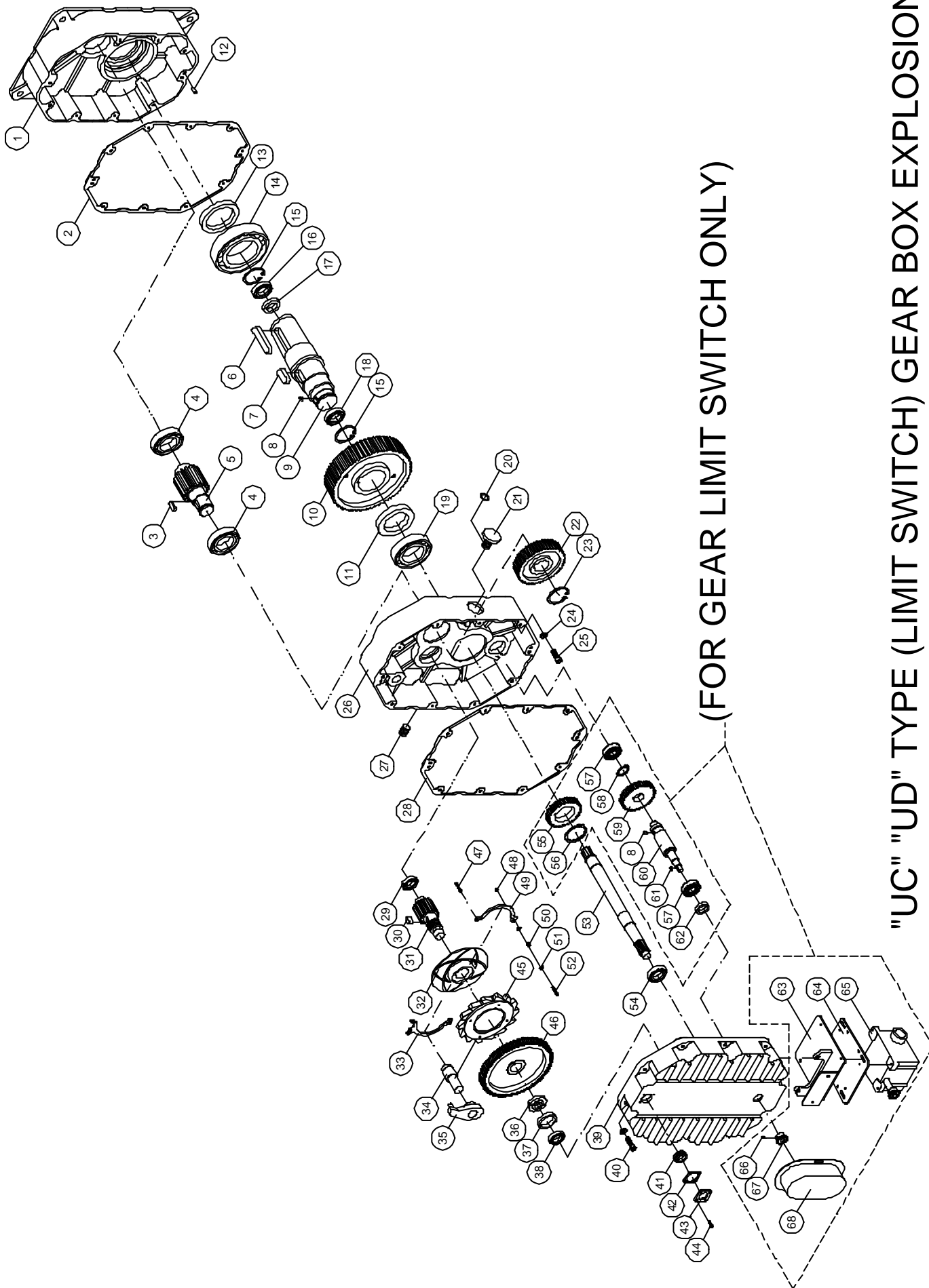
"UA" "UB" TYPE GEAR BOX EXPLOSION

GEAR BOX ASSEMBLY B.O.M

NO.	PART NUMBER	DESCRIPTION	QTY 1T (2200lbs)	QTY 2T (4400lbs)
01	400198	Retaining Ring <R-47>	1	1
02	400787	Bearing <6005 Z>	1	1
03	400183	Oil Seal <ø25×ø40×8t>	1	1
04	400935	Oil Seal <ø65×ø90×13t>	1	1
05	402509	Gasket <t0.8×176×253.5L>	1	1
06	269452	Flange Frame	1	1
07	400963	Key <t6×6×15L>	1	1
08	200286	Pawl Pin	1	1
09	400241	Pawl Spring	1	1
10	200288	Pawl	1	1
11	400190	Retaining Ring <S-16>	1	1
12	400993	Key <t18×12×80L>	1	1
13	407748	Bearing <6305>	1	1
14	268101	Load Brake Gear Shaft <M2.0×20T>	1	
	268102	Load Brake Gear Shaft <M2.5×14T>		1
15	268901	Friction Plate	1	1
16	269101	Ratchet Lining Ass'y	1	1
17	268002	Intermediate Gear <M1.5×126T>	1	1
18	269301	End Spacer	2	2
19	269251	Intermediate Gear Spacer	1	1
20	407746	Bearing <6304>	1	1
21	268801	Drum Shaft	1	1

GEAR BOX ASSEMBLY B.O.M

NO.	PART NUMBER	DESCRIPTION	QTY 1T (2200lbs)	QTY 2T (4400lbs)
22	400170	Needle Bearing <NK25/16>	1	1
23	407740	Bearing <6212>	1	1
24	400916	Retaining Ring <R-110>	1	1
25	268501	Sleeve <ø70×ø50×15L>	1	1
26	268201	Load Brake Gear <M2.0×87T>	1	
	268202	Load Brake Gear <M2.5×72T>		1
27	400197	Retaining Ring <S-50>	1	1
28	267902	Motor Shaft Pinion <M1.5×11T>	1	1
29	400131	Bearing <6203>	1	1
30	402550	Gasket(A) <t0.8×279×389L>	1	1
31	400095	Spring Washer <M8>	12	12
32	400017	Hex. Recess Bolt <M8×1.25×35L>	12	12
33	400591	Drain Plug <3/8"PT>	1	1
34	211385	Sight Glass <ø30>	1	1
35	263381	Sight Glass Frame A <t3.5 ø8 ø8L>	1	1
36	263382	Sight Glass Frame B<t2 ø8 ø8L>	1	1
37	400052	Cross Headed Screw	4	4
38	400224	Pin <ø8×10L>	3	3
39	267602	Gear Case Cover <FC-25>	1	1
40	206856	Lubricant Filling Plug	1	1
41	404341	O Ring <ø20×ø26×3>	1	1



(FOR GEAR LIMIT SWITCH ONLY)

"UC" "UD" TYPE (LIMIT SWITCH) GEAR BOX EXPLOSION

GEAR BOX ASSEMBLY B.O.M

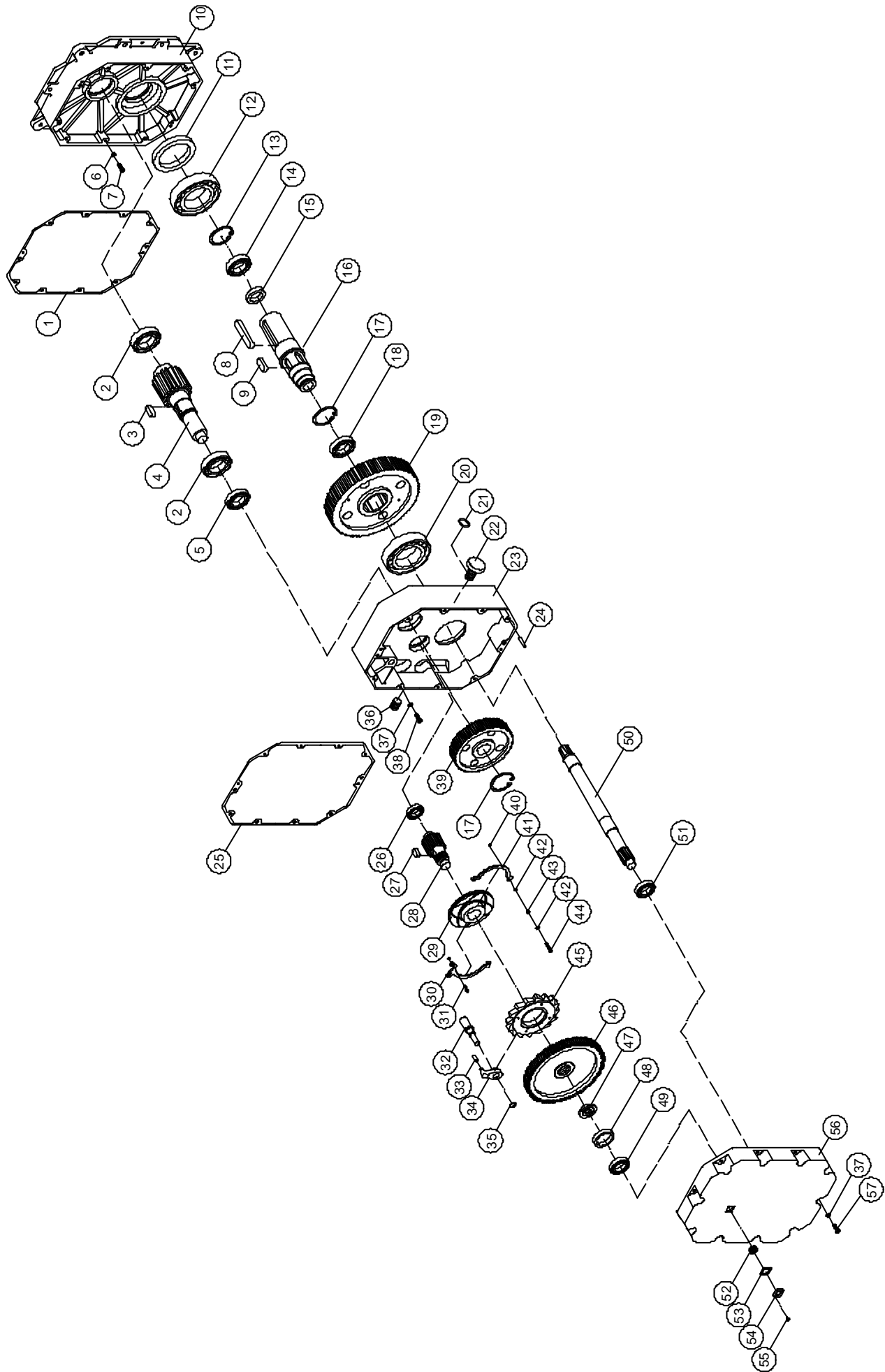
NO.	PART NUMBER	DESCRIPTION	QTY 3T (6600lbs)		QTY 5T (11000lbs)	
			STD	GEAR	STD	GEAR
01	269451	Gear Case Base	1	1	1	1
02	402551	Gasket (A) <t0.8×320×450L>	1	1	1	1
03	405908	Key <t12×8×30L>	1	1	1	1
04	407714	Bearing <6209>	2	2	2	2
05	268303	Drum Pinion Gear <M3.5×18T>	1	1		
	268304	Drum Pinion Gear <M3.5×17T>			1	1
06	405906	Key <t20×12×90L>	1	1	1	1
07	405907	Key <t20×12×45L>	1	1	1	1
08	400961	Key <t6×6×10L>		2		2
09	268802	Transmission Shaft	1		1	
	268812			1		1
10	268403	Drum Gear <M3.5×62T>	1	1		
	268404	Drum Gear <M3.5×63T>			1	1
11	268502	Sleeve <ø82×ø70×9L>	1	1	1	1
12	407454	Pin <ø8×15L>	4	4	4	4
13	400933	Oil Seal <ø80×ø105×12t>	1	1	1	1
14	407743	Bearing <6216>	1	1	1	1
15	400906	Retaining Ring <R-55>	2	2	2	2
16	400692	Bearing <6006 Z>	1	1	1	1
17	400939	Oil Seal <ø30×ø45×8t>	1	1	1	1
18	407769	Bearing <6006>	1		1	
	400838	Needle Bearing <30/20>		1		1
19	407731	Bearing <6014>	1	1	1	1
20	404341	O Ring <ø20×ø26×3>	1	1	1	1

GEAR BOX ASSEMBLY B.O.M

NO.	PART NUMBER	DESCRIPTION	QTY 3T (6600lbs)		QTY 5T (11000lbs)	
			STD	GEAR	STD	GEAR
21	206856	Lubricant Filling Plug	1	1	1	1
22	268203	Load Brake Gear <M2.5×51T>	1	1		
	268204	Load Brake Gear <M2.5×52T>			1	1
23	400195	Retaining Ring <S-40>	1	1	1	1
24	400095	Spring Washer <M8>	20	20	20	20
25	400015	Hex. Recess Bolt <M8×1.25×40L>	10	10	10	10
26	267603	Gear Case B	1	1	1	1
27	400591	Drain Plug <3/8"PT>	1	1	1	1
28	402552	Gasket (B) <t0.8×328×458L>	1	1	1	1
29	407748	Bearing <6305>	1	1	1	1
30	405921	Key <t8×8×16L>	1	1	1	1
31	268103	Load Brake Gear Shaft <M2.5×18T>	1	1		
	268104	Load Brake Gear Shaft <M2.5×17T>			1	1
32	268902	Friction Plate	1	1	1	1
33	268982	Pawl Actuator(L)	1	1	1	1
34	269352	Pawl Pin <ø30×81L>	1	1	1	1
35	269402	Pawl	1	1	1	1
36	269302	End Spacer	2	2	2	2
37	269252	Intermediate Gear Spacer <ø50×ø60×9.5L>	1	1	1	1
38	407736	Bearing <6205>	1	1	1	1
39	269002	Gear Case Cover	1		1	
	269012			1		1
40	400014	Hex. Recess Bolt <M8×1.25×30L>	10	10	10	10
41	211385	Sight Glass <ø30>	1	1	1	1

GEAR BOX ASSEMBLY B.O.M

NO.	PART NUMBER	DESCRIPTION	QTY 3T (6600lbs)		QTY 5T (11000lbs)	
			STD	GEAR	STD	GEAR
42	263381	Sight Glass Frame A <t3.5×38×38L>	1	1	1	1
43	263382	Sight Glass Frame B <t2×38×38L>	1	1	1	1
44	400052	Cross Headed Screw <M4×0.7×15L>	4		4	
45	269102	Ratchet Lining Ass'y	1	1	1	1
46	268003	Intermediate Gear <M1.75×108T>	1	1	1	1
47	406802	Hexagon Headed Bolt <M6×1.0×15L>	1	1	1	1
48	400087	Lock Nut <M6×1.0>	2	2	2	2
49	268992	Pawl Actuator Ring(R)	1	1	1	1
50	400340	Compress Spring	1	1	1	1
51	400662	Flat Washer	2	2	2	2
52	400010	Hex. Recess Bolt <M6×1.0×55L>	1	1	1	1
53	267903	Motor Shaft Pinion <M1.75×12T>	1	1	1	1
54	400132	Bearing <6204>	1	1	1	1
55	274701	Motor Shaft Pinion <M2.0×45T>		1		1
56	400909	Retaining Ring <S-55>		1		1
57	407734	Bearing <6204>		2		2
58	400193	Retaining Ring <S-30>		1		1
59	274801	Connecting Rod Gear <M2.0×45T>		1		1
60	274901	Connecting Rod <ø35×171>		1		1
61	405900	Key <t3×3×10L>		2		2
62	400186	Oil Seal <ø20×ø35×8t>		1		1
63	274951	Limit Pedestal Ass' y		1		1



"UE" "UF" TYPE GEAR BOX EXPLOSION

GEAR BOX ASSEMBLY B.O.M

NO.	PART NUMBER	DESCRIPTION	QTY 7.5T (16500lbs)	QTY 10T (22000lbs)	QTY 15T (33000lbs)
01	402553	Gasket(A) <t0.8×480×640L>	1	1	1
02	407741	Bearing <6213>	2	2	2
03	405911	Key <t18×11×50L>	1	1	1
04	268305	Drum Pinion Gear <M5.5×18T>	1	1	1
05	407714	Bearing <6209>	1	1	1
06	400651	Spring Washer <M14>	10	10	10
07	400442	Hex. Recess Bolt <M14×2.0×50L>	10	10	10
08	400966	Key <t25×14×150L>	1	1	1
09	405909	Key <t25×14×65L>	4	4	4
10	267605	Gear Case Base	1	1	1
11	400929	Oil Seal <ø100×ø125×13t>	1	1	1
12	400728	Bearing <6220>	1	1	1
13	400200	Retaining Ring <R-62>	2	2	2
14	400711	Bearing <6007 Z>	1	1	1
15	400177	Oil Seal <ø35×ø55×11t>	1	1	1
16	268803	Drum Shaft	1	1	1
17	400919	Retaining Ring <S-60>	1	1	1
18	407770	Bearing <6007>	1	1	1
19	268405	Drum Gear <M5.5×71T>	1	1	1
20	407744	Bearing <6218>	1	1	1
21	404341	Oil Ring <ø20×ø26×3>	1	1	1

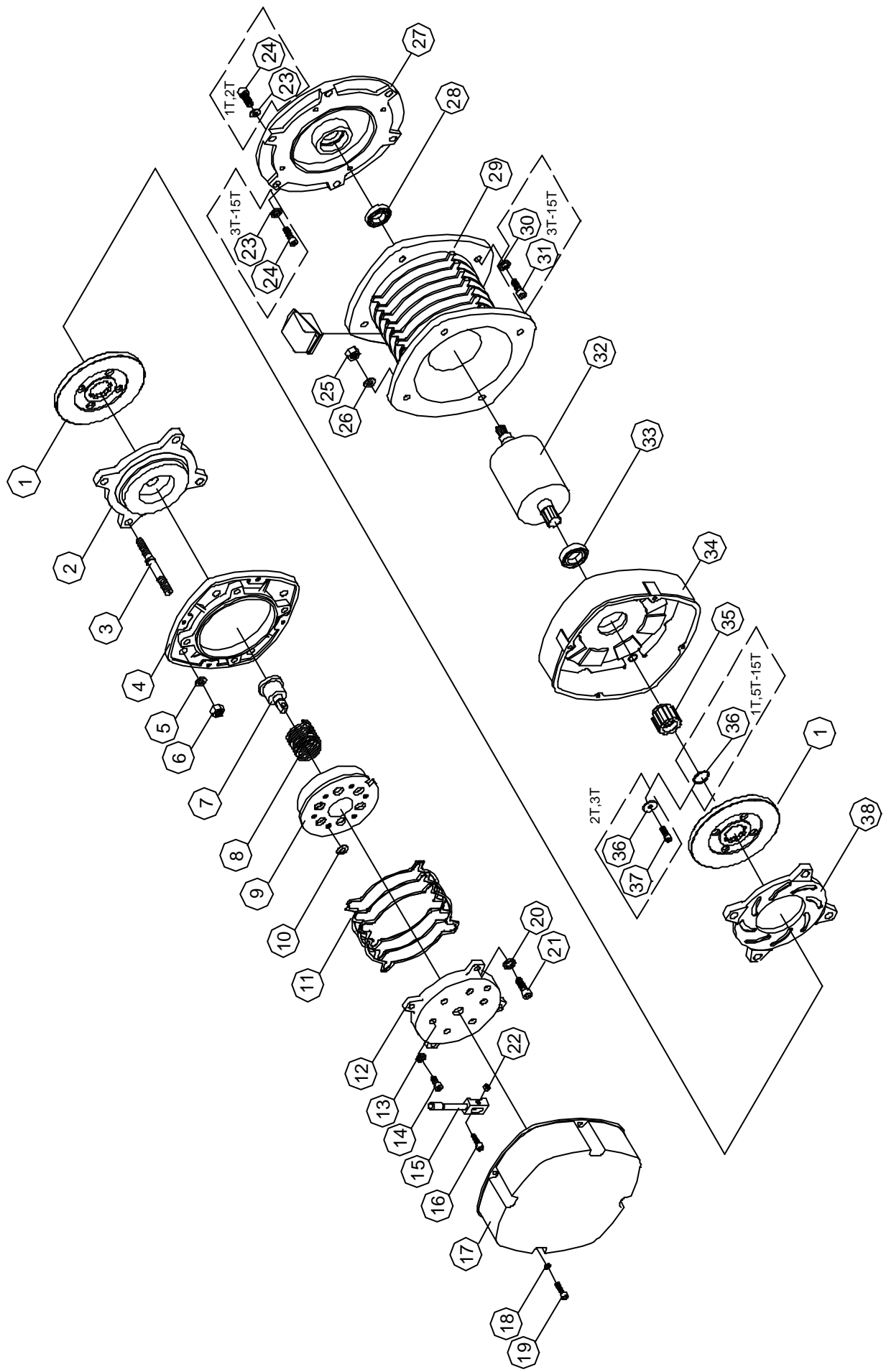
GEAR BOX ASSEMBLY B.O.M

NO.	PART NUMBER	DESCRIPTION	QTY	QTY	QTY
			7.5T (16500lbs)	10T (22000lbs)	15T (33000lbs)
22	206856	Lubricant Filling Plug	1	1	1
23	267611	Gear Case B	1	1	1
24	205327	Pin <ø12×ø8.5×14L>	4	4	4
25	402554	Gasket (B) <t0.8×480×640L>	1	1	1
26	407750	Bearing <6308>	1	1	1
27	400996	Key <t16×10×30L>	1	1	1
28	268105	Load Brake Gear Shaft <M3.5×20T>	1		
	268106	Load Brake Gear Shaft <M3.5×19T>		1	1
29	268903	Friction Plate	1	1	1
30	268981	Pawl Actuator (L)	1	1	1
31	406802	Hexagon Headed Bolt <M6×1.0×15L>	1	1	1
32	269351	Pawl Pin <ø35×140.5L>	1	1	1
33	407451	Pin <ø10×30L>	1	1	1
34	269401	Pawl	1	1	1
35	400192	Retaining Ring <S-25>	1	1	1
36	407203	Drain Plug <PT 3/4" >	1	1	1
37	400097	Spring Washer <M12>	20	20	20
38	400448	Hex. Recess Bolt <M12×1.75×65L>	10	10	10
39	268205	Load Brake Gear <M3.5×74T>	1		
	268206	Load Brake Gear <M3.5×75T>		1	1
40	400087	Lock Nut <M6×1.0>	2	2	2
41	268991	Pawl Actuator(R)	1	1	1
42	400662	Flat Washer<M6>	2	2	2

GEAR BOX ASSEMBLY B.O.M

NO.	PART NUMBER	DESCRIPTION	QTY 7.5T (16500lbs)	QTY 10T (22000lbs)	QTY 15T (33000lbs)
43	400340	Compress Spring <ø1.0-ø10.5~ø10.8×ø9×25L>	1	1	1
44	400010	Hex. Recess Bolt <M6×1.0×55L>	1	1	1
45	269103	Ratchet Lining Ass' y	1	1	1
46	268005	Intermediate Gear <M2×126T>	1	1	1
47	269303	End Spacer	2	2	2
48	269253	Intermediate Gear Spacer <ø75×ø90×9.5L>	1	1	1
49	407759	Bearing <6208>	1	1	1
50	267905	Motor Shaft Pinion	1	1	1
51	407747	Bearing <6305>	1	1	1
52	211385	Sight Glass <ø30>	1	1	1
53	263381	Sight Glass Frame A <t3.5×38×38L>	1	1	1
54	263382	Sight Glass Frame B <t2×38×38L>	1	1	1
55	400052	Cross Headed Screw <M4×0.7×15L>	4	4	4
56	269003	Gear Case Cover	1	1	1
57	400435	Hex. Recess Bolt <M12×1.75×25L>	10	10	10

1-15T SINGLE SPEED & 1-5T DUAL SPEED MOTOR EXPLOSION



MOTOR ASSEMBLY B.O.M.

For 1~15T Single Speed & 1~5T Dual Speed
speed

S: Single speed D: Dual speed

NO.	PART NUMBER	DESCRIPTION	Q'TY REQ'D EACH UNIT						
			1T	2T	3T	5T	7.5T	10T	15T
			2200lbs 3HP	4400lbs 5HP	6600lbs 7HP	11000lbs 9HP	16500lbs 11HP	22000lbs 15HP	33000lbs 15HP
01	105702	Friction Lining	1	2	2				
	105735					2	2	2	2
02	105846	Armature Plate(B)	1	1	1				
	105762					1	1	1	1
03	207113	Brake Stud	4						
	207114			4	4				
	207112					4	4	4	4
04	105823	Brake Bracket	1	1	1				
	105824					1	1	1	1
05	400098	Spring Washer	4	4	4				
	400100					4	4	4	4
06	400634	Nut <M16 x2.0>	4	4	4				
	400083	Nut <M18 x2.5>				4	4	4	4
07	105820	Spring Guide	1	1	1				
	105821					1	1	1	1
08	400325	Brake Spring	1	1	1				
	400319					1	1	1	1
09	Voltage : 230V								
	105870	AC Solenoid	1	1	1				
	105875					1	1	1	1
	Voltage : 460V								
	105864	AC Solenoid	1	1	1				
105874					1	1	1	1	
10	207115	Disc Spring	6	6	6	6	6	6	6
11	105838	Brake Shim	6	6	6				
	105839					6	6	6	6
12	105826	Solenoid Cover	1	1	1				
	105827					1	1	1	1
13	400096	Spring Washer	6	6	6				
	400097					6	6	6	6
14	400449	Hex. Recess Bolt	6	6	6				
	400435					6	6	6	6
15	207121	Release Bar	1	1	1	1	1	1	1
16	400025	Hex. Recess Bolt	1	1	1	1	1	1	1
17	105617	Brake End Cover	1	1	1				
	105744					1	1	1	1

MOTOR ASSEMBLY B.O.M.

For 1~15T Single Speed & 1~5T Dual Speed

S: Single speed D: Dual speed

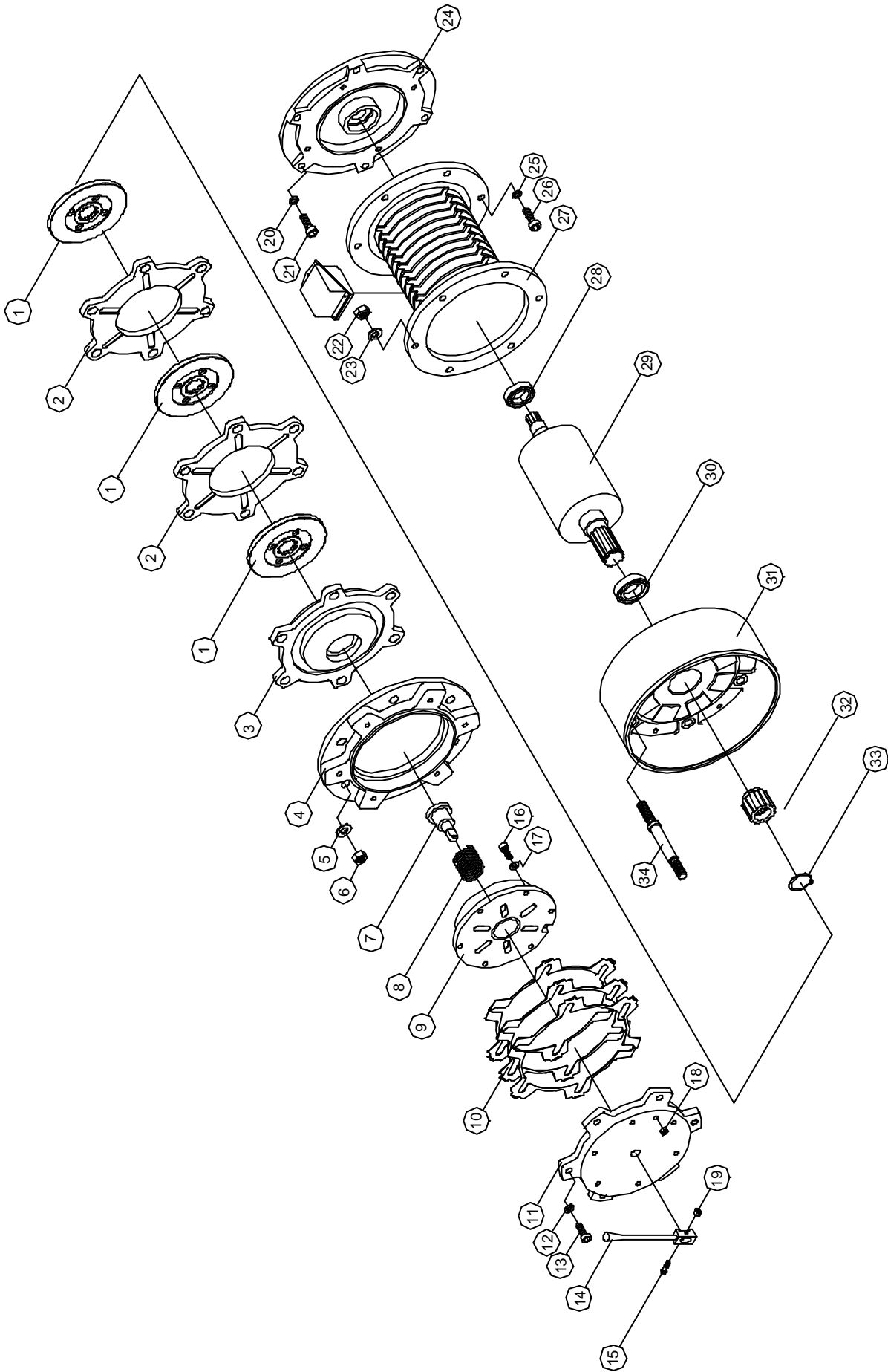
NO.	PART NUMBER	DESCRIPTION	Q'TY REQ'D EACH UNIT						
			1T	2T	3T	5T	7.5T	10T	15T
			2200lbs 3HP	4400lbs 5HP	6600lbs 7HP	11000lbs 9HP	16500lbs 11HP	22000lbs 15HP	33000lbs 15HP
18	400095	Spring Washer	4	4	4	4	4	4	4
19	400012	Hex. Recess Bolt	4	4	4	4	4	4	4
20	400097	Spring Washer	4	4	4				
	400651					4	4	4	4
21	400451	Hex. Recess Bolt	4	4	4				
	400439					4	4	4	4
22	400088	Lock Nut	1	1	1	1	1	1	1
23	400095	Spring Washer	4	4					
	400651				6	6	6	6	6
24	400015	Hex. Recess Bolt	4	4					
	400441				6	6	6	6	6
25	400637	Nut <M14 x2.0>	4	4	4				
	400083	Nut <M18 x2.5>				4	4	4	4
26	400651	Spring Washer	4	4	4				
	400100					4	4	4	4
27	105694	Flange	1	1					
	105689				1				
	105623					1			
	105622						1	1	1
28	400113	Bearing <6206>	1	1	1				
	400801	Bearing <6307>				1	1	1	1
29	Voltage : 230V								
	133401(S)	Motor Stator Ass'y	1						
	133431(D)		1						
	133402(S)			1					
	133433(D)			1					
	133403(S)				1				
	133435(D)				1				
	133355(S)					1			
	133362(D)					1			
	133354(S)						1		
133047(S)							1	1	

MOTOR ASSEMBLY B.O.M.

For 1~15T Single Speed & 1~5T Dual Speed

S: Single speed D: Dual speed

NO.	PART NUMBER	DESCRIPTION	Q'TY REQ'D EACH UNIT							
			1T 2200lbs 3HP	2T 4400lbs 5HP	3T 6600lbs 7HP	5T 11000lbs 9HP	7.5T 16500lbs 11HP	10T 22000lbs 15HP	15T 33000lbs 15HP	
29	Voltage : 460V									
	133401(S)	Motor Stator Ass'y	1							
	133432(D)		1							
	133402(S)			1						
	133434(D)			1						
	133403(S)				1					
	133436(D)				1					
	133355(S)					1				
	133361(D)					1				
	133354(S)						1			
133047(S)								1	1	
30	400097	Spring Washer			4	4	4	4	4	
31	400451	Hex. Recess Bolt			4	4	4	4	4	
32	105575(S)	Motor Rotor	1							
	105576(D)		1							
	105574(S)			1						
	105577(D)			1						
	105577(S)				1					
	105578(D)				1					
	105569(S)					1				
	105583(D)					1				
	105583(S)						1	1	1	
33	400151	Bearing <6306>	1	1	1					
	400118	Bearing <6309>				1	1	1	1	
34	105690	Brake Housing	1							
	105691			1	1					
	105742					1	1	1	1	
35	105693	Disc Hub	1							
	105705			1	1					
	105681	Friction Gasket				1	1	1	1	
36	400193	Retaining Ring	1							
	105606	Motor Shaft Plate		1	1					
	400195	Retaining Ring				1	1	1	1	
37	400025	Hex. Recess Bolt		1	1					
38	105692	Disc Plate		1	1					
	105741					1	1	1	1	



7.5 -15T DUAL SPEED MOTOR EXPLOSION

MOTOR ASSEMBLY B.O.M.

For 7.5~15T Dual Speed

D: Dual speed

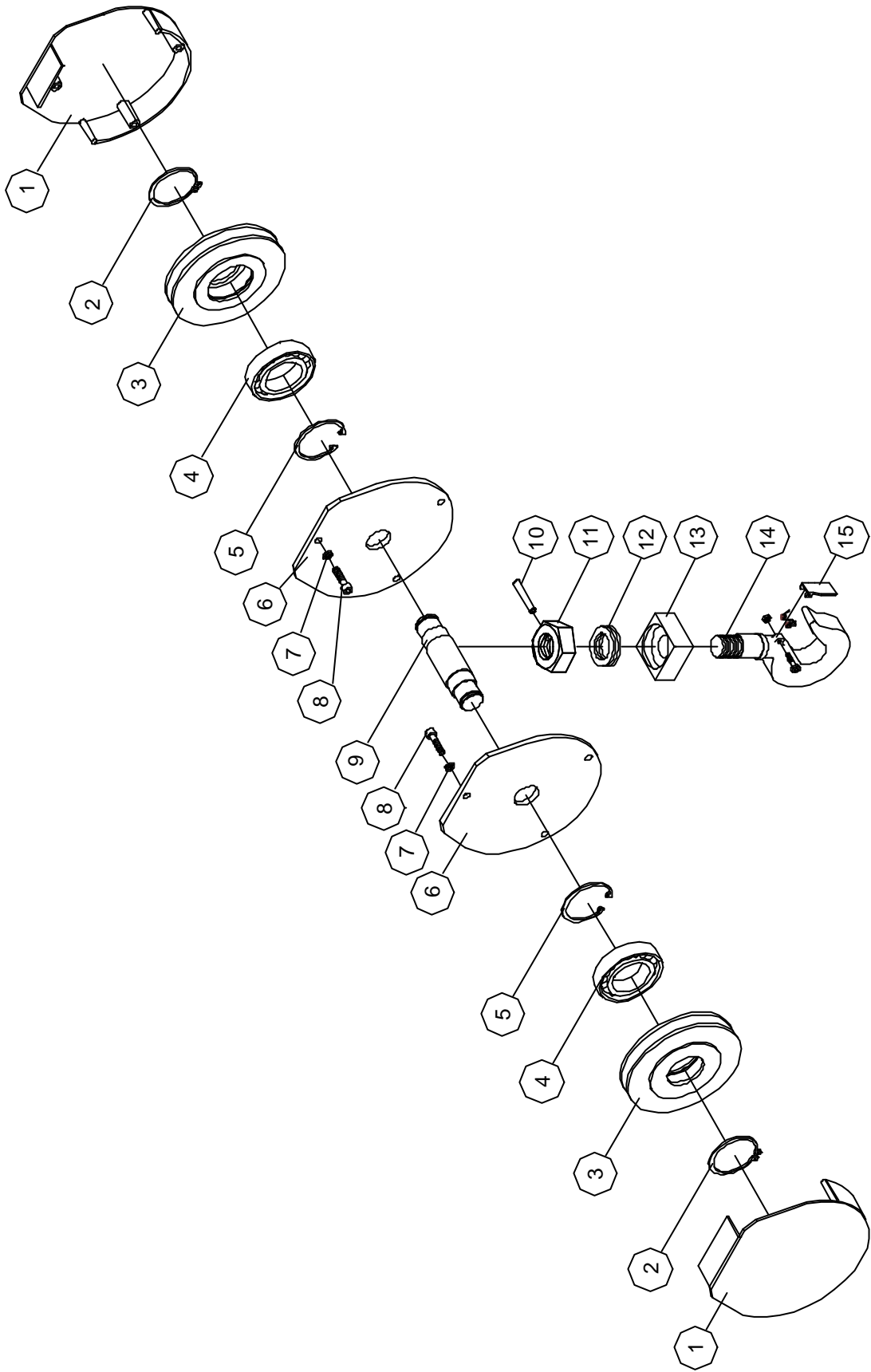
NO.	PART NUMBER	DESCRIPTION	QTY		
			7.5T 16500lbs 11HP	10T 22000lbs 15HP	15T 33000lbs 15HP
01	105736	Friction Lining	3	3	3
02	105782	Disc Plate	2	2	2
03	105850	Armature Plate (B)	1	1	1
04	105816	Brake Bracket	1	1	1
05	400099	Spring Washer <M20>	6	6	6
06	400086	Nut <M20 x2.0>	6	6	6
07	105822	Spring Guide	1	1	1
08	408471	Brake Spring <ø7.5-ø60 xø45 x70L>	1	1	1
09	Voltage:3 -60HZ-230V				
	105925	AC Solenoid	1	1	1
	Voltage:3- 60HZ-460V				
	105924	AC Solenoid	1	1	1
10	105840	Brake Shim <t1.0 xø360>	6	6	6
11	105829	Brake Drum <t42 xø360>	1	1	1
12	400095	Spring Washer <M8>	6	6	6
13	400441	Hex. Recess Bolt <M8 x1.25 x35L>	6	6	6
14	207121	Release Bar <d25 x25 x250L>	1	1	1
15	400017	Hex. Recess Bolt <M8 x1.25 x35L>	1	1	1
16	400447	Hex. Recess Bolt <M12 x1.75 x50L>	6	6	6
17	400097	Spring Washer <M12>	6	6	6
18	400089	Lock Nut <M12 x1.75>	6	6	6
19	400088	Nylon Nut <M8 x1.25>	1	1	1
20	400651	Spring Washer <M14>	6	6	6
21	400442	Hex. Recess Bolt <M14 x2.0 x50L>	6	6	6
22	400086	Nut <M20 x2.0>	6	6	6
23	400099	Spring Washer <M20>	6	6	6

MOTOR ASSEMBLY B.O.M.

For 7.5~15T Dual Speed

D: Dual speed

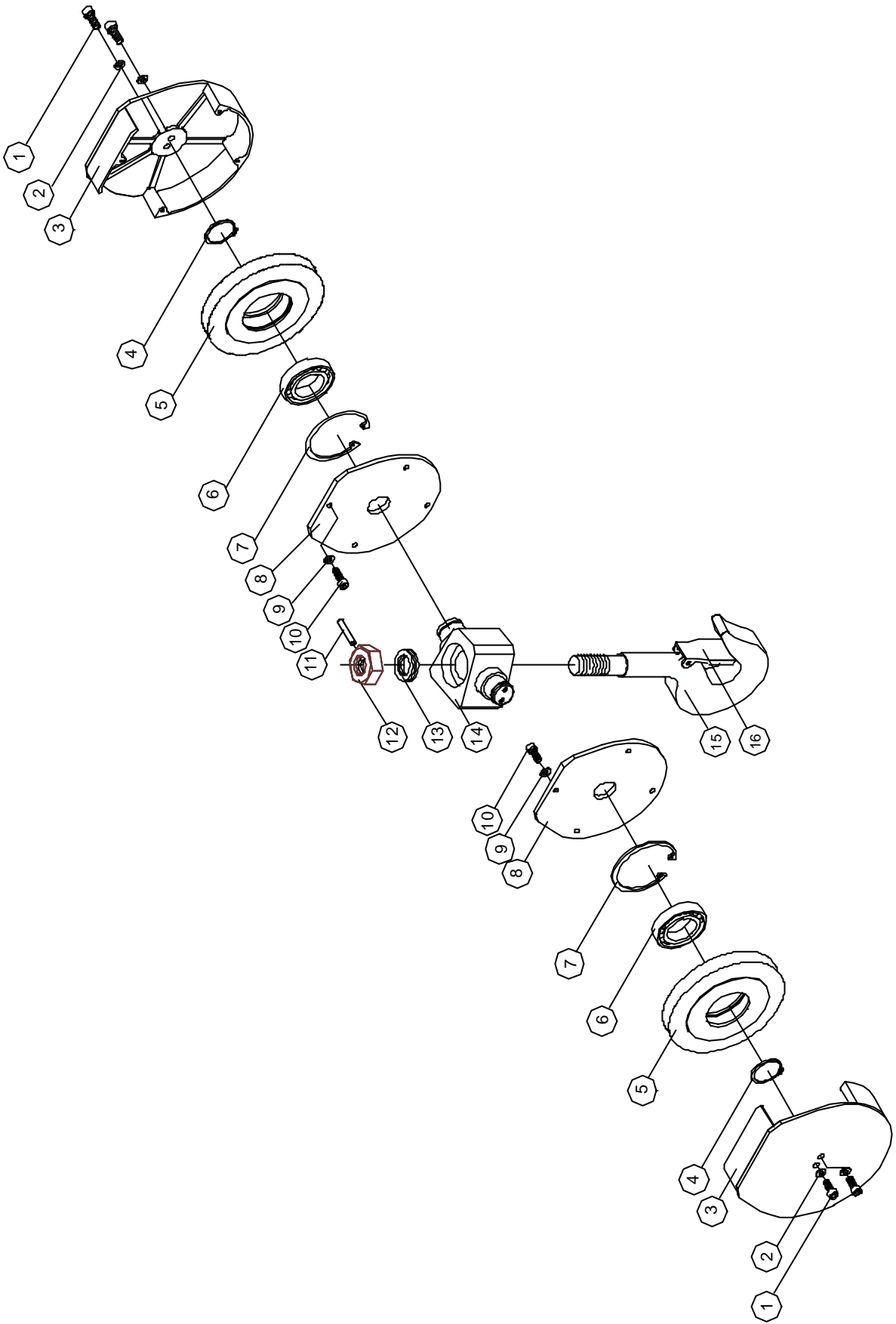
NO.	PART NUMBER	DESCRIPTION	QTY 256T		
			7.5T 16500lbs 11HP	10T 22000lbs 15HP	15T 33000lbs 15HP
24	105711	Flange	1	1	1
25	400651	Spring Washer <M14>	6	6	6
26	400442	Hex. Recess Bolt <M14 x2.0 x50L>	6	6	6
27	Voltage:3 -60HZ-230V				
	133439(D)	Motor Stator Ass' y	1		
	133441(D)			1	1
	Voltage:3 -60HZ-460V				
	133440(D)	Motor Stator Ass' y	1		
	133442(D)			1	1
28	400117	Bearing <6310>	1	1	1
29	105564	Motor Rotor <ø260 x230L>	1	1	1
30	400116	Bearing <6308>	1	1	1
31	105801	Brake Housing	1	1	1
32	105701	Friction Gasket <ø82 x91L>	1	1	1
33	400197	Retaining Ring <S-50>	1	1	1
34	207117	Stay Bolt <ø30 x232L>	6	6	6



1,2T BOTTOM BLOCK EXPLOSION

BOTTOM BLOCK B.O.M.

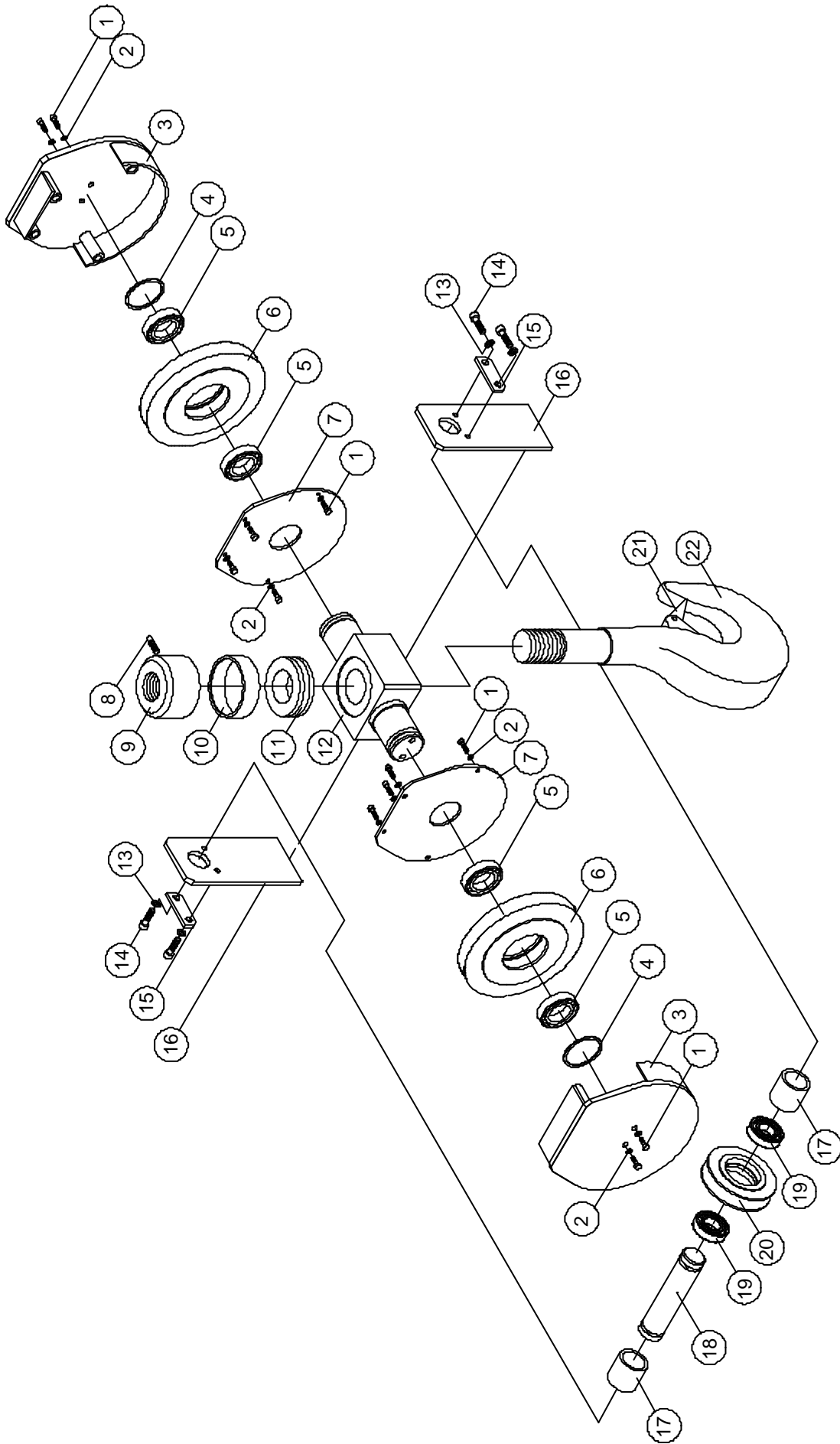
NO.	PART NUMBER	DESCRIPTION	QTY 1T (2200lbs)	QTY 2T (4400lbs)
01	272011	Bottom Hook Side Cover Ass'y	2	
	272001			2
02	400192	Retaining Ring <S-25>	2	
	400194	Retaining Ring <S-35>		2
03	263606	Sheave	2	
	263605			2
04	407807	Bearing <6205 ZZ>	2	
	407818	Bearing <6307 ZZ>		2
05	400199	Retaining Ring <S-52>	2	
	400202	Retaining Ring <R-80>		2
06	272211	Bottom Hook Side Cover <t6×170×170L ø28>	2	
	272201	Bottom Hook Side Cover <t8×225×225L ø40>		2
07	400094	Spring Washer <M6>	6	
	400095	Spring Washer <M8>		6
08	400008	Hex. Recess Bolt <M6×1.0×25L>	6	
	400014	Hex. Recess Bolt <M8×1.25×30L>		6
09	207554	Sheave Axle <ø30×118L>	1	
	207552	Sheave Axle <ø45×150L>		1
10	400209	Spring Pin <ø8×55L >	1	1
11	202016	Hex. Nut <7/8"×9UNC>	1	
	400075	Hex. Nut <1"×8UNC×28L>		1
12	400839	Thrust Bearing <51205>	1	
	400166	Thrust Bearing <51206>		1
13	273811	Bearing Housing <t25×50×50L>	1	
	273801	Bearing Housing <t35×60×65L>		1
14	274009	Bottom Hook	1	
	204987			1
15	400300	Safety Latch Ass'y	1	
	400301			1



3-10T BOTTOM BLOCK EXPLOSION

BOTTOM BLOCK B.O.M

NO.	PART NUMBER	DESCRIPTION	QTY 3T (6600lbs)	QTY 5T (11000lbs)	QTY 7.5T (16500lbs)	QTY 10T (22000lbs)
01	400446	Hex. Recess Bolt <M10×1.5×20L>	4	4	4	4
02	400096	Spring Washer <M10>	4	4	4	4
03	272002	Bottom Hook Side Cover Ass'y	2			
	272005			2		
	272003				2	
	272004					2
04	400195	Retaining Ring <S-40>	2			
	400196	Retaining Ring <S-45>		2		
	400197	Retaining Ring <S-50>			2	
	400909	Retaining Ring <S-55>				2
05	210824	Sheave <ø210×ø80 t36>	2			
	263603	Sheave <ø210×ø100 t36>		2		
	263601	Sheave <ø242×ø100 t40>			2	
	263602	Sheave <ø282×44L>				2
06	407819	Bearing <6308ZZ>	2			
	407820	Bearing <6309ZZ>		2		
	407821	Bearing <6310ZZ>			2	
	407822	Bearing <6311ZZ>				2
07	400914	Retaining Ring <R-90>	2			
	404151	Retaining Ring <R-100>		2		
	400916	Retaining Ring <R-110>			2	
	404152	Retaining Ring <R-120>				2
08	272202	Bottom Hook Side Cover	2			
	272205			2		
	272203				2	
	272204					2
09	400095	Spring Washer <M8>	8	8	8	8
10	400012	Hex. Recess Bolt <M8×1.25×20L>	8	8	8	8
11	400209	Spring Pin <ø8×55L>	1			1
	400214	Spring pin <ø8×70L>		1	1	
12	400074	Nut <1 3/8" ×6UNC>	1			
	400644	Nut <1 3/4" ×5UNC t43mm>		1		
	400636	Nut <M52×5.0>			1	
	202049	Nut <M64×6.0 ø118×55L>				1



15T BOTTOM BLOCK EXPLOSION

BOTTOM BLOCK B.O.M

NO.	PART NUMBER	DESCRIPTION	QTY 15T (33000lbs)
01	400435	Hex. Recess Bolt <M12×1.75×25L>	12
02	400097	Spring Washer <M12>	12
03	272008	Bottom Hook Side Cover Ass'y	2
04	400920	Retaining Ring <S-85>	2
05	407803	Bearing <6017Z>	4
06	263555	Sheave <ø285×60L>	2
07	272208	Bottom Hook Side Cover <t9×354×354L>	2
08	400584	Bolt <M8×1.25×30L>	2
09	202046	Hex. Nut <M68×6.0 ø137×80L>	1
10	200303	Dust Proof Cover <ø139.7×ø127×19L>	1
11	400155	Thrust Bearing <51314>	1
12	273809	Bearing Housing <t100×180×340>	1
13	400099	Spring Washer <M20>	4
14	400461	Hex. Recess Bolt <M20×2.5×35L>	4
15	264051	Key <t12×50×150L>	2
16	271307	Frame <t12×150×430L>	2
17	269906	Spacer Sleeve <ø90×ø76×65L >	2
18	263453	Mounting Axle <ø75×266L>	1
19	400703	Bearing <6015 Z>	2
20	263651	Sheave <ø194×50L>	1
21	400304	Safety Latch	1
22	274008	Bottom Hook	1